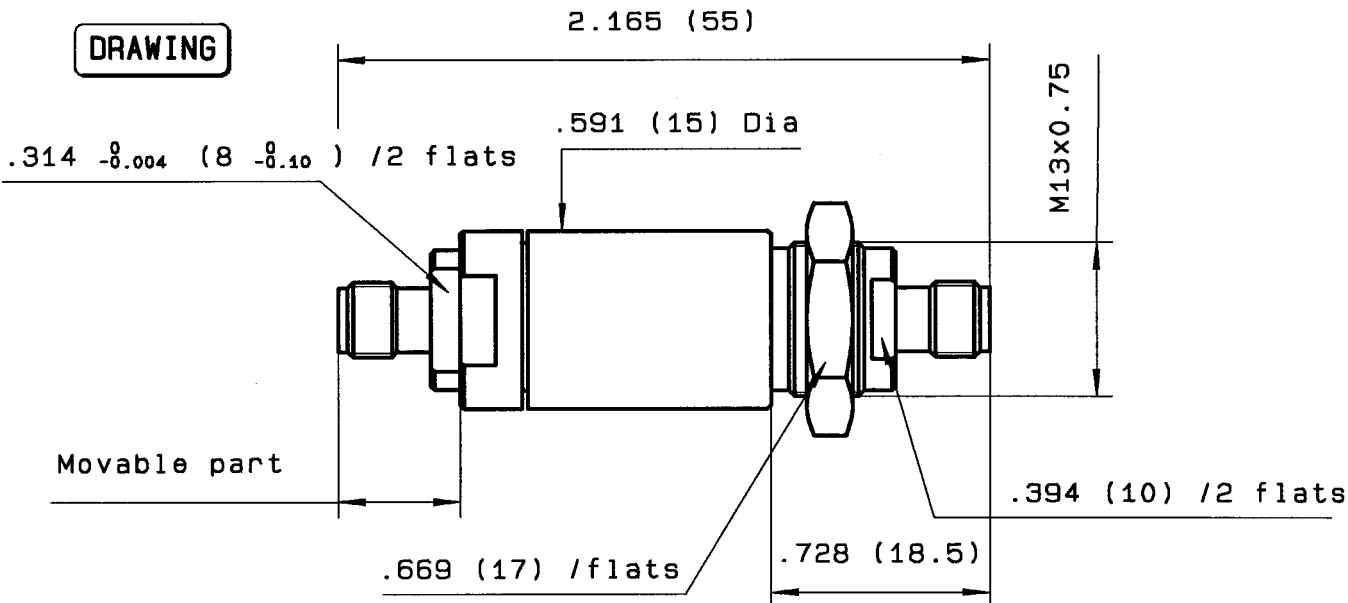


SINGLE CHANNEL COAXIAL ROTARY JOINT

issue 18. sep. 95 Page 1 / 1

DRAWING



General tolerances: +/- 0.5 mm

R F CHARACTERISTICS

FREQUENCY RANGE	:	0 - 18 GHz
IMPEDANCE	:	50 Ohms
V.S.W.R	0 - 12.4 GHz	: <= 1.30
	12.4 - 18 GHz	: <= 1.50
WOW ON V.S.W.R		: <= 1.02
INSERTION LOSS	0 - 12.4 GHz	: <= 0.3 dB
	12.4 - 18 GHz	: <= 0.6 dB
AVERAGE POWER at 25° C		: 50 W CW
PEAK POWER at 25° C		: 1 kW (1µ S 1%.)

MECHANICAL CHARACTERISTICS

CONNECTORS	:	SMA Female per MIL-C 39012
Maximum rotation speed	:	300 rpm
LIFE	:	2 10 ⁶ rotations
Maximum rotation torque	:	3 Cm.N
WEIGHT	:	45 g

ENVIRONMENTAL CHARACTERISTICS

OPERATING TEMPERATURE RANGE (°C)	:	-40 , +85
VIBRATION	MIL STD 202	: 10 - 55 Hz / 10 g
SHOCK	MIL STD 202	: 50 g / 11 ms / half-sine

QUALITY Dpt app.	
CREATION	
PEN : CAT	18. sep. 95
EP : <i>[Signature]</i>	01. sep. 95
Nom : AF	
Date: 01 sep. 95	ISSUE

	Tolerance added	AF
	New format 8.5 → 8	AF
	REVISIONS	NAME

RADIALL®

101. Philibert Hoffmann - Z.I Ouest - 93116 ROSNY/BOIS Cedex-FRANCE
 Phone: 33.1.49353535 Fax: 33.1.48546363
 Tlx RADIA 235220F

This information is given as an indication. In the continual goal to improve our products, we reserve the right to make any modifications judged necessary.

4112-9211